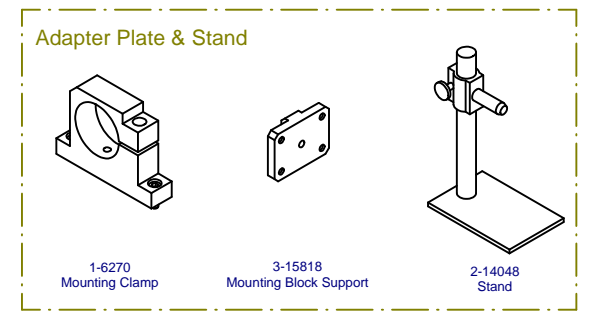
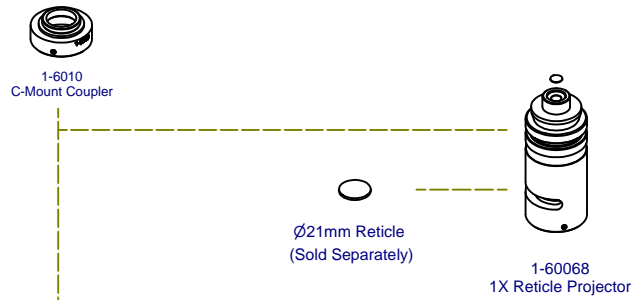
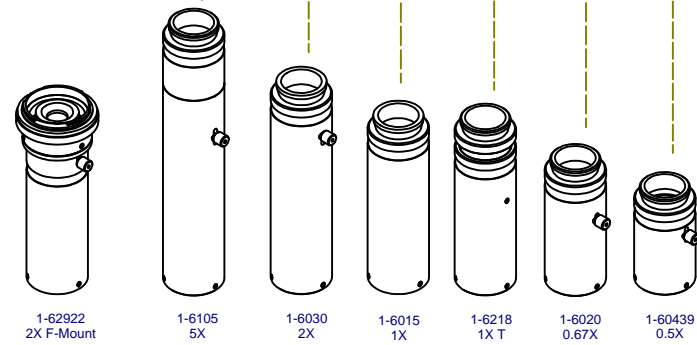


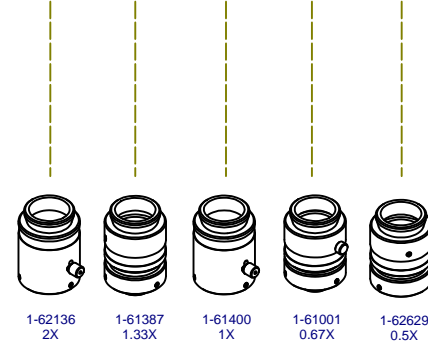
ZFL System Diagram



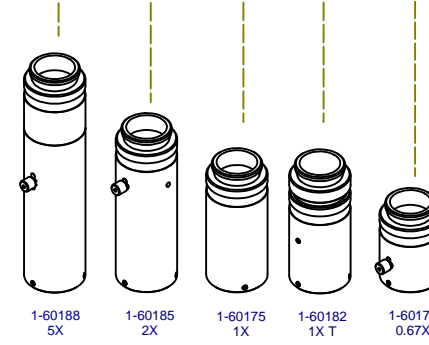
Standard Adapters



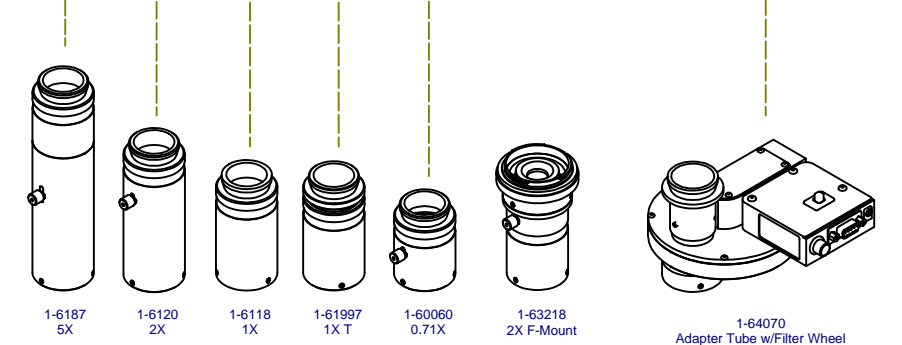
Mini Adapters



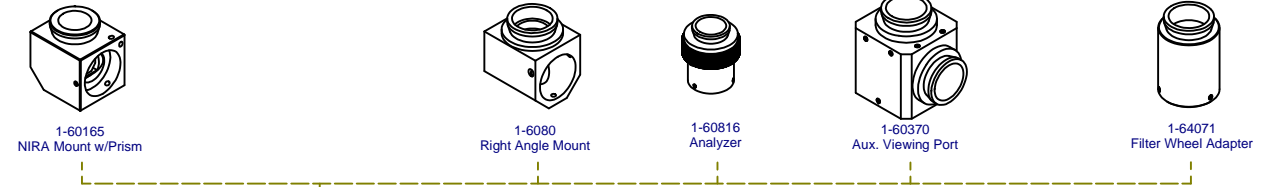
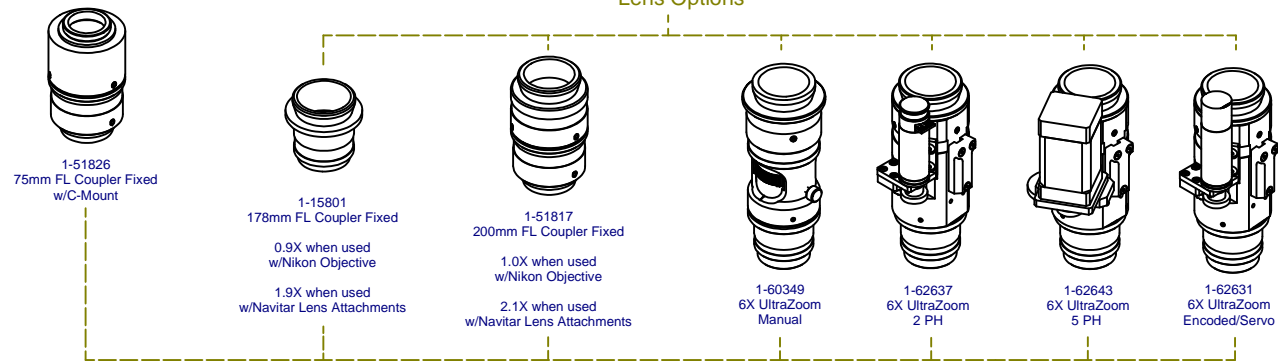
Non-Inv. Right Angle Adapters



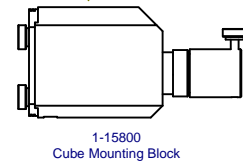
Right Angle Adapters



Lens Options



8-16383 Olympus BX2 Mounted Filter Set Endow GFP Longpass Emission (Visit www.chroma.com for other filter options)

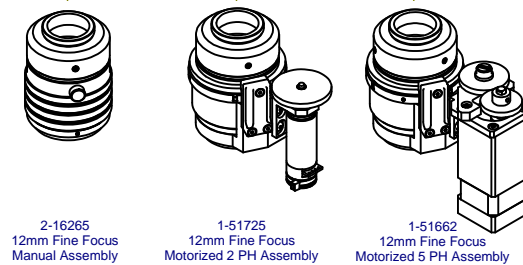


Micro Mode Objective Adapters

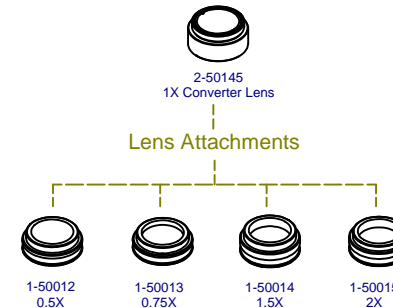


- 1-51853 - Nikon, CFI LU Plan Fluor EPI P 5x
- 1-51854 - Nikon, CFI LU Plan Fluor EPI P 10x
- 1-51855 - Nikon, CFI LU Plan Fluor EPI P 20x
- 1-51856 - Nikon, CFI LU Plan Fluor EPI P 50x

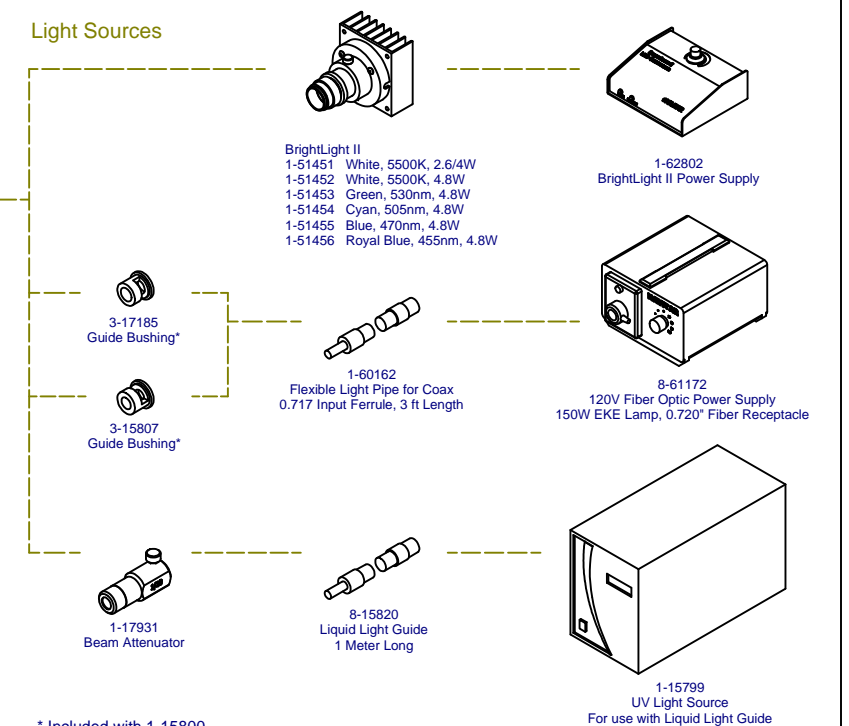
12mm Fine Focus Adapters



Macro Mode Lens



Light Sources



* Included with 1-15800